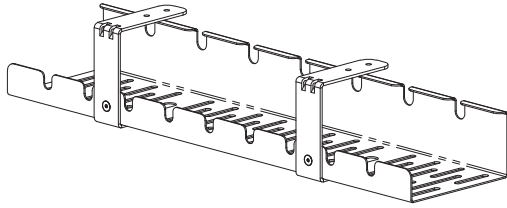


# Item No.: UDC-0505/UDC-0502

Installation guide

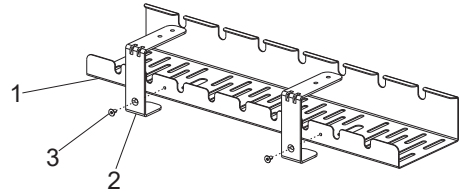


Length\*Width\*Height  
500\*120\*90MM



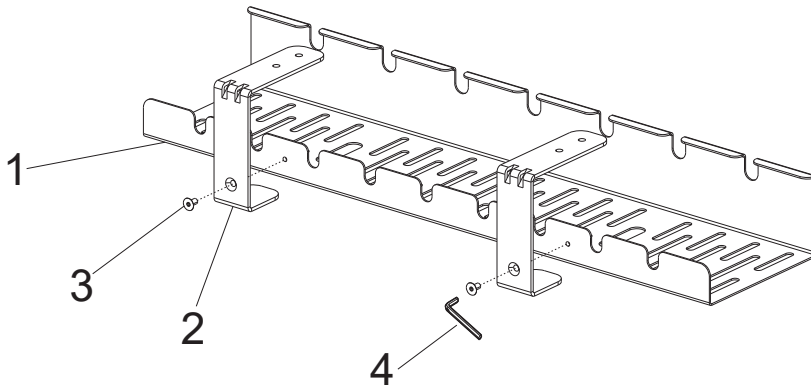
- 1. Cable Management Tray (1PC)
- 2. Connecting Bracket (2PCS)

- 3.  M4x6mm (2PCS)
- 4.  St4.2x16mm (4PCS)
- 5.  2.5x2.5mm Allen Key (1PC)



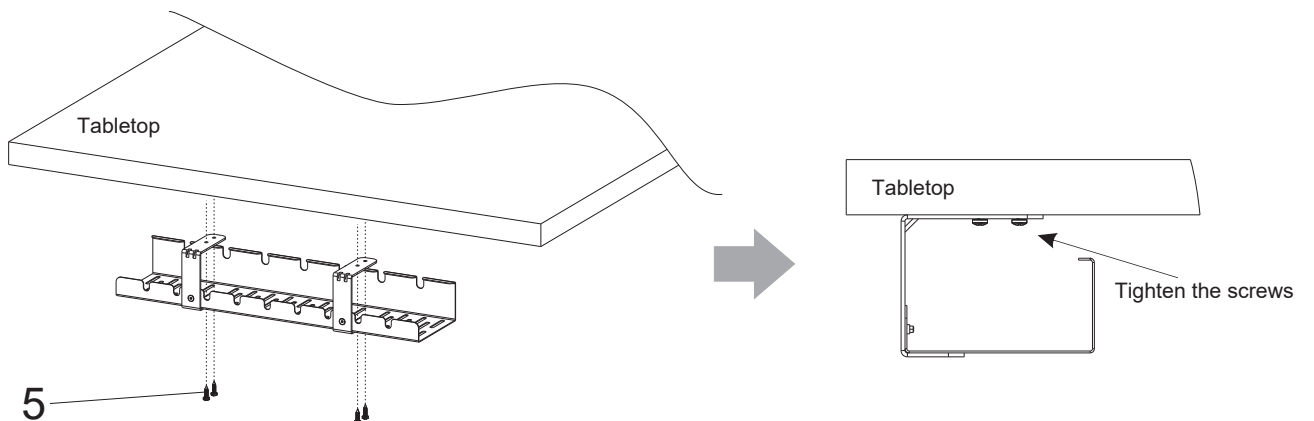
## STEP 1

Attach the connecting bracket to the cable management tray.

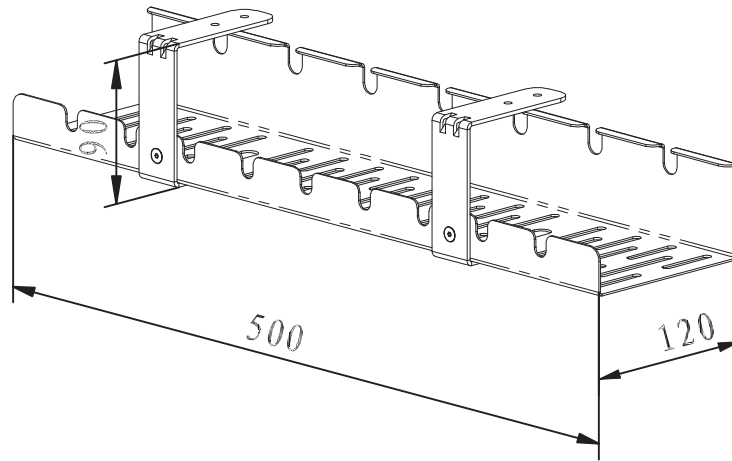


## STEP 2

Attach the cable management tray to the tabletop.



## Specifications



## CAUTION

This product contains small items that could be a choking hazard if swallowed. Keep these items away from young children.

- Make sure these instructions are read and completely understood before attempting installation. If you are unsure of any part of this installation, please contact a professional installer for assistance.
- please check joint parts every two months, making sure the screws are loosened or not.

**Note:** this product is intended for indoor use only. Use of this product outdoors could lead to product failure or personal