

STEP4

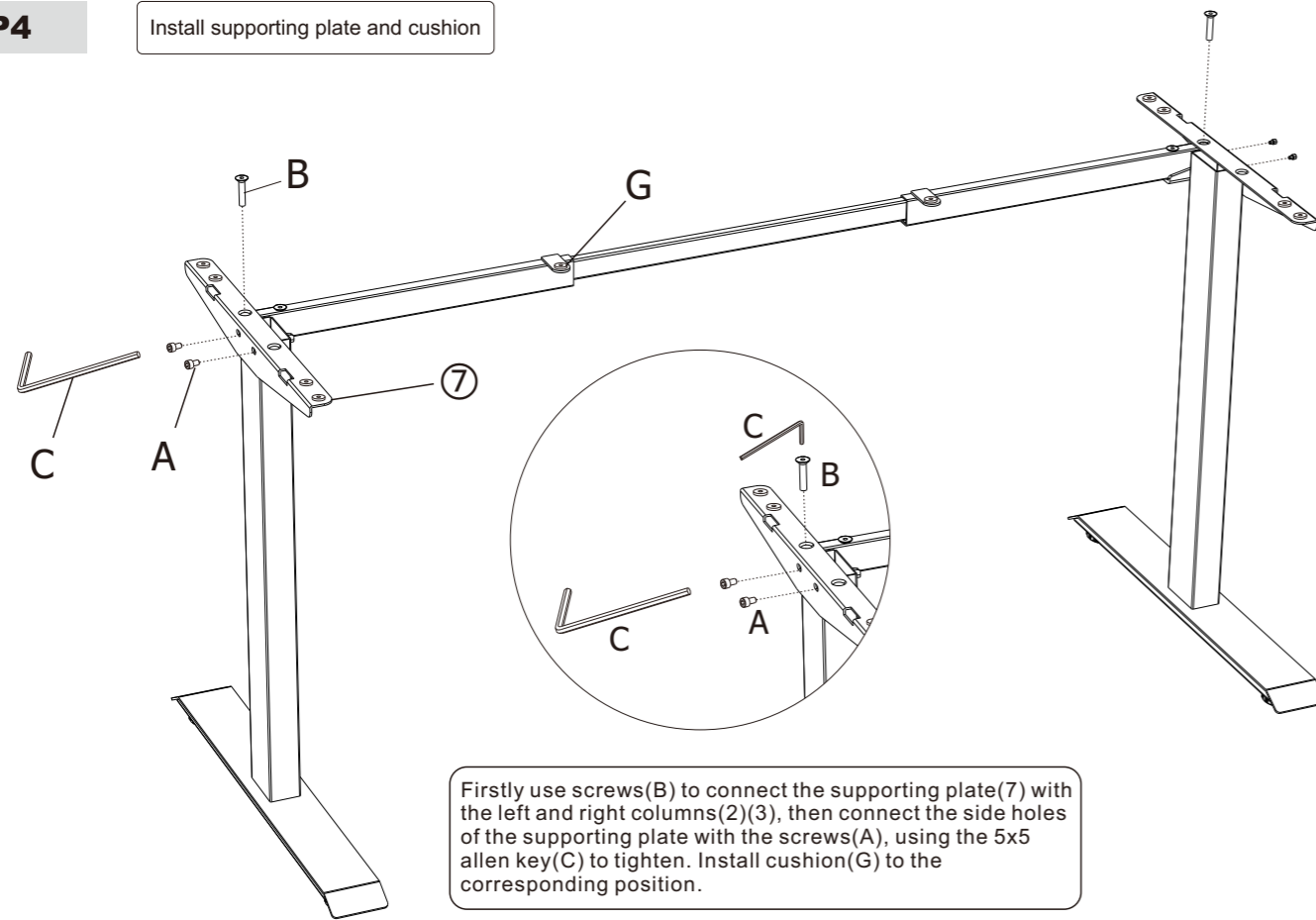
Install supporting plate and cushion

A x4
M6x16

B x2
M8x50

C x1
5x5

G x10
Cushion



Firstly use screws(B) to connect the supporting plate(7) with the left and right columns(2)(3), then connect the side holes of the supporting plate with the screws(A), using the 5x5 allen key(C) to tighten. Install cushion(G) to the corresponding position.



Warning

There's spare parts in the package, which will lead to asphyxia if swallowed by accident. Please keep out of the reach of children for the spare parts.

- Make sure you have read and comprehend the manual for installation. Please contact the specialized persons if there's any confusion in the steps.
- Children are forbidden to play on the product because of unforeseen action when playing, so any dangerous consequences caused by this improper action will not be on.
- This appliance can be used by children aged from 7 years and above and persons with reduced physical, sensory or mental capabilities or lack of experience and knowledge if they have been given supervision or instruction concerning use of the appliance in a safe way and understand the hazards involved. Children shall not play with the appliance.
- Children must not perform cleaning and user maintenance without supervision.
- Please make sure there is no hazard sources in your operating environment. e.g., do not litter the tools around. Always be careful to treat the packaging materials in order to avoid any possible danger, e.g. plastic bag may lead to choking hazard to children.
- Keep the original package of the equipment if necessary in case of the future use in transportation.

Waste disposal

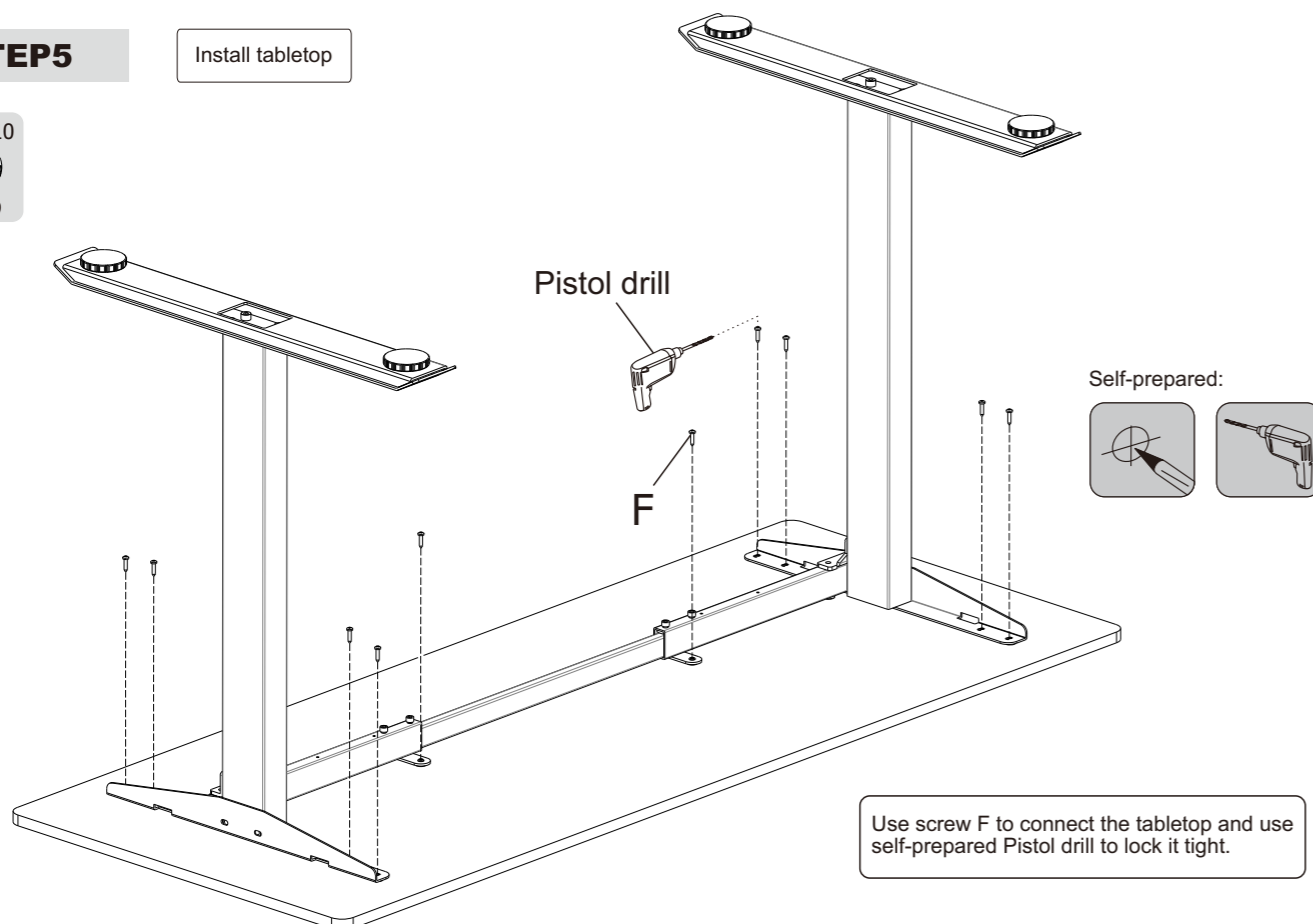


This marking indicates that this product should not be disposed with other household wastes. To prevent possible harm to the environment or human health from uncontrolled waste disposal, recycle it responsibly to promote the sustainable reuse of material resources. To return your used device, please use the return and collection systems or contact the retailer where the product was purchased. They can take this product for environmental safe recycling.

STEP5

Install tabletop

F x10
ST4.2x19



Use screw F to connect the tabletop and use self-prepared Pistol drill to lock it tight.

ELJ Bordet AB

Långetorpsvägen 12
314 34, Hyltebruk
Sweden

+46(0)345-17470
info@elj.se
www.elj.se